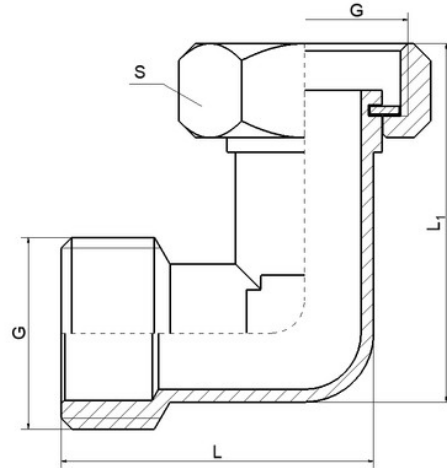




Half union elbow for boiler



Description				Packaging amount		Unit weight	EAN	Index
G	L	L ₁	S	bag	box	[g]		
1/2"	34	39	24	10	200	60	5901797702335	456
3/4"	43	49,5	30	10	100	108	5901797702328	454
1"	53	54,3	37	10	100	154	5901797702564	469

Characteristics

Material: CW617N
Max working pressure: 16 bar
Max working temperature: +110°C

Certificates



Atest Higieniczny B.BK.60110.0264.2024
 Narodowego Instytutu Zdrowia Publicznego