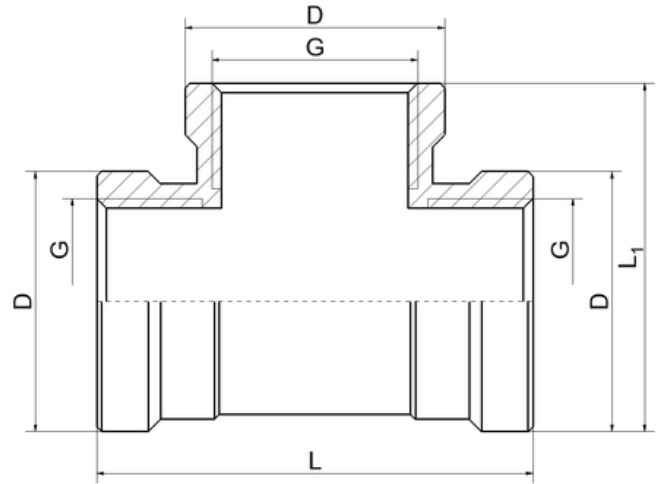




Tee - internal thread



Description				Packaging amount		Unit weight	EAN	Index
G	L	L ₁	D	bag	box	[g]		
3/8"	41	31	22	10	200	66	5901797701970	345
1/2"	44,5	47	26,5	10	200	72	5901797701475	138
3/4"	52	42	32,5	10	100	94	5901797701482	139
1"	67	54	40,5	10	60	234	5901797701499	148
5/4"	84,5	66	49	5	30	352	5901797702229	432
6/4"	81	67,5	54			336	5901797703073	T669
2"	101,5	85	70			690	5901797703080	T670

Characteristics

Material: CW617N
Max working pressure: 16 bar
Max working temperature: +110°C

Certificates



Atest Higieniczny B.BK.60110.0264.2024
 Narodowego Instytutu Zdrowia Publicznego